



STABILIZING TRANSMISSION AS FORWARD®

www.staf.com.tw

Miniature Linear Guide

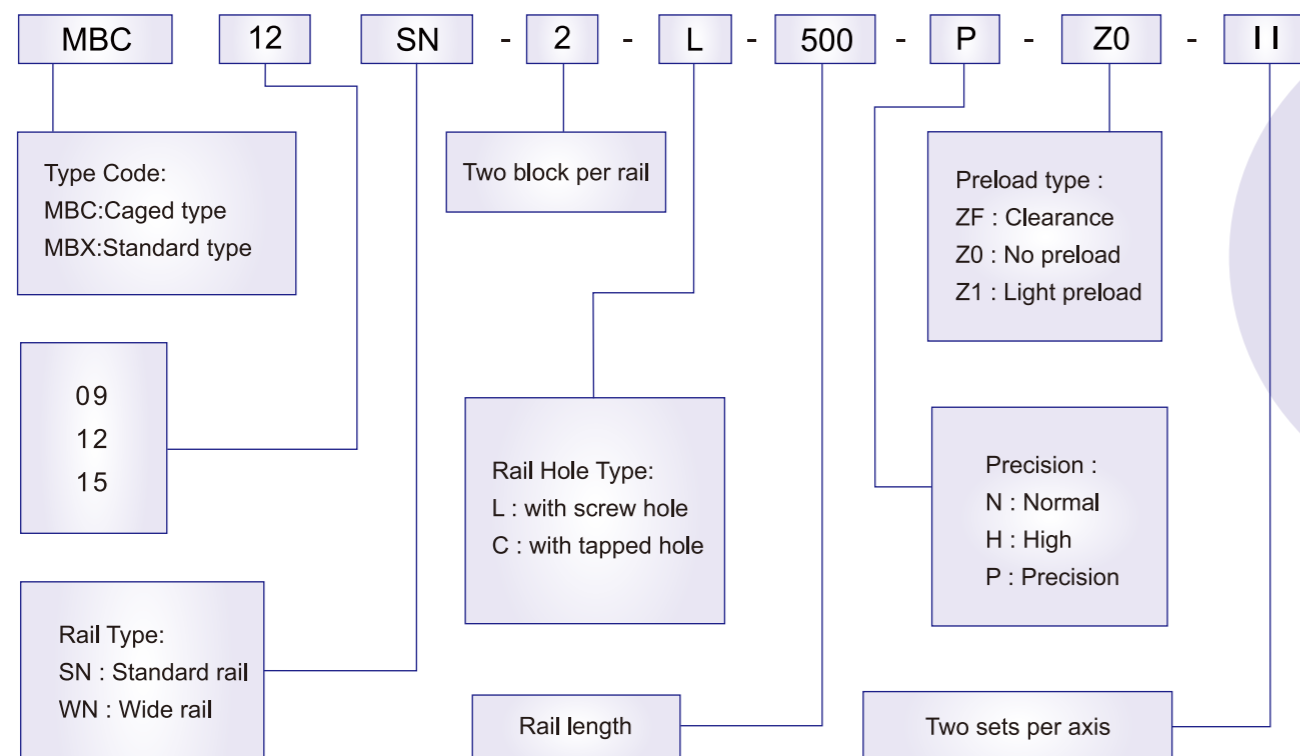


MINIATURE

LINEAR GUIDE

STAF MB Series >>> MBX & MBC

MODEL NUMBER CODING

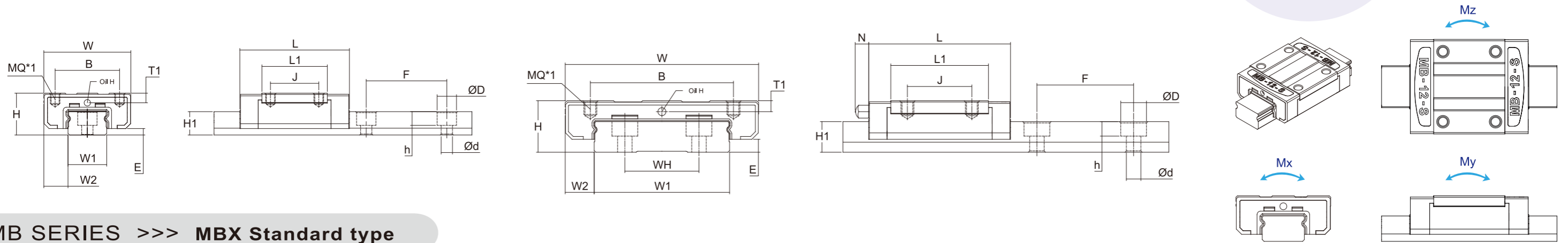


 **OME Technology Co., Ltd.**
 No.46, Ln. 168, Sanshu Rd., Sanxia Dist.,
 New Taipei City 237, Taiwan
 Tel +886-2-26716600 Fax +886-2-26711400
 www.staf.com.tw



MB SERIES E1

- Interchangeable to other brands
- Cage optimizes lubrication
- Ensuring high-accuracy design
- Built-in dust sealing



MB SERIES >>> MBX Standard type

Model	Assembly - mm				Dimension of Block - mm									Dimension of Rail - mm						Rating load - kgf		Static Torque - kgf-m			Weight		
	H	W	W2	E	L	B	J	MQ	I	L1	Oil-H	T1	N	W1	H1	F	d	D	h	WH	C	C0	MX	MY	MZ	Block - kgf	Rail - kgf/m
MBX09SN	10	20	5.5	2.2	30.8	15	10	M3	2.8	19.5	Ø1.5	2.4	-	9	6.05	20	3.5	6	3.3	-	205	230	1.06	0.85	0.85	0.016	0.39
MBX12SN	13	27	7.5	2	34	20	15	M3	3.2	20.3	Ø2	3	-	12	7.25	25	3.5	6	4.25	-	335	350	2.29	1.19	1.19	0.032	0.63
MBX15SN	16	32	8.5	4	42	25	20	M3	3.5	25.3	M3	3.5	5	15	9.5	40	3.5	6	4.5	-	555	570	4.00	2.60	2.60	0.053	1.05
MBX09WN	12	30	6	4	39	21	12	M3	2.8	26.7	Ø1.5	2.3	-	18	7.25	30	3.5	6	4.5	-	265	330	3.12	1.39	1.61	0.035	0.98
MBX12WN	14	40	8	3.8	44.5	28	15	M3	3.5	30.5	Ø2	3	-	24	8.7	40	4.5	8	4.5	-	440	530	6.60	2.62	2.62	0.063	1.53
MBX15WN	16	60	9	4	55.5	45	20	M4	4.5	38.5	M3	3.5	5	42	9.5	40	4.5	8	4.5	23	740	855	17.50	5.10	5.10	0.130	2.97

MB SERIES >>> MBC Caged type

Model	Assembly - mm				Dimension of Block - mm									Dimension of Rail - mm						Rating load - kgf		Static Torque - kgf-m			Weight		
	H	W	W2	E	L	B	J	MQ	I	L1	Oil-H	T1	N	W1	H1	F	d	D	h	WH	C	C0	MX	MY	MZ	Block - kgf	Rail - kgf/m
MBC09SN	10	20	5.5	2.2	30.8	15	10	M3	2.8	19.5	Ø1.5	2.4	-	9	6.05	20	3.5	6	3.3	-	270	230	1.06	0.85	0.85	0.016	0.39
MBC12SN	13	27	7.5	2	34	20	15	M3	3.2	20.3	Ø2	3	-	12	7.25	25	3.5	6	4.25	-	400	350	2.29	1.19	1.19	0.032	0.63
MBC15SN	16	32	8.5	4	42	25	20	M3	3.5	25.3	M3	3.5	5	15	9.5	40	3.5	6	4.5	-	665	570	4.00	2.60	2.60	0.053	1.05
MBC09WN	12	30	6	4	39	21	12	M3	2.8	26.7	Ø1.5	2.3	-	18	7.25	30	3.5	6	4.5	-	325	330	3.12	1.39	1.61	0.035	0.98
MBC12WN	14	40	8	3.8	44.5	28	15	M3	3.5	30.5	Ø2	3	-	24	8.7	40	4.5	8	4.5	-	545	530	6.60	2.62	2.62	0.063	1.53
MBC15WN	16	60	9	4	55.5	45	20	M4	4.5	38.5	M3	3.5	5	42	9.5	40	4.5	8	4.5	23	910	855	17.50	5.10	5.10	0.130	2.97

MB SERIES >>> Accuracy Standard

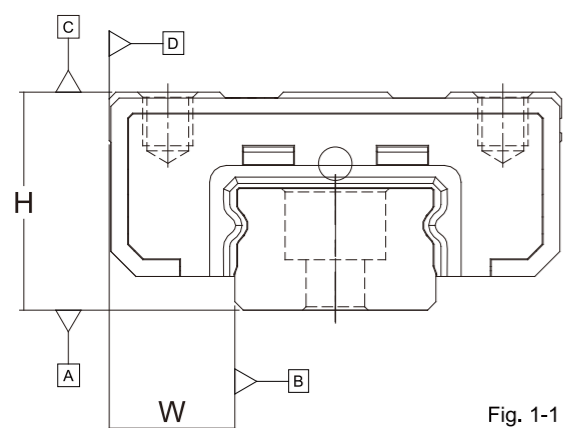


Fig. 1-1

Precision Grade of Assembly Set	N Normal	H High	P Precision
Tolerance of height (H)	±0.04	±0.02	±0.01
Tolerance of width (W)	±0.04	±0.025	±0.015
Difference of heights(ΔH)	0.03	0.015	0.007
Difference of widths(ΔW)	0.03	0.02	0.01
Running Parallelism of MB Block surface C with respect to surface A	ΔC Refer to Fig. 1-1, 1-2		
Running Parallelism of MB Block surface D with respect to surface B	ΔD Refer to Fig. 1-1, 1-2		

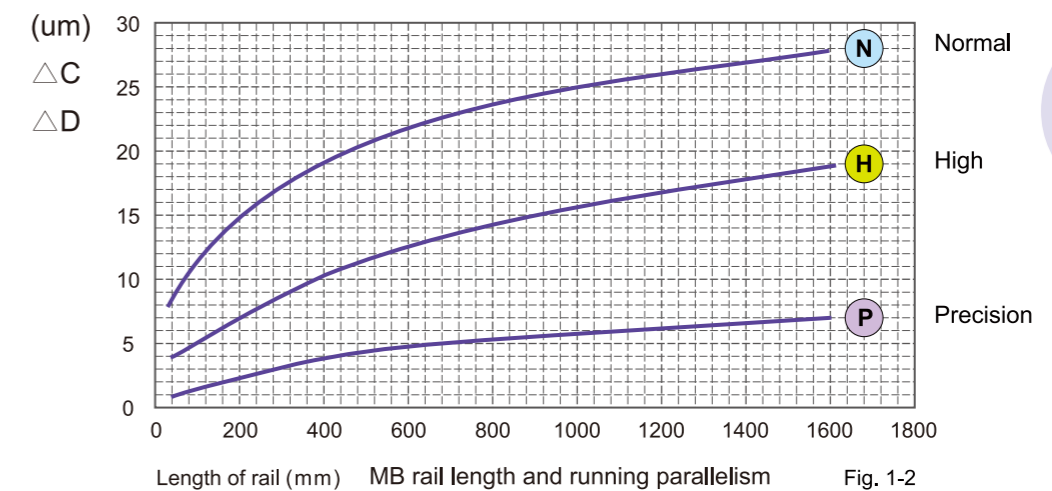


Fig. 1-2